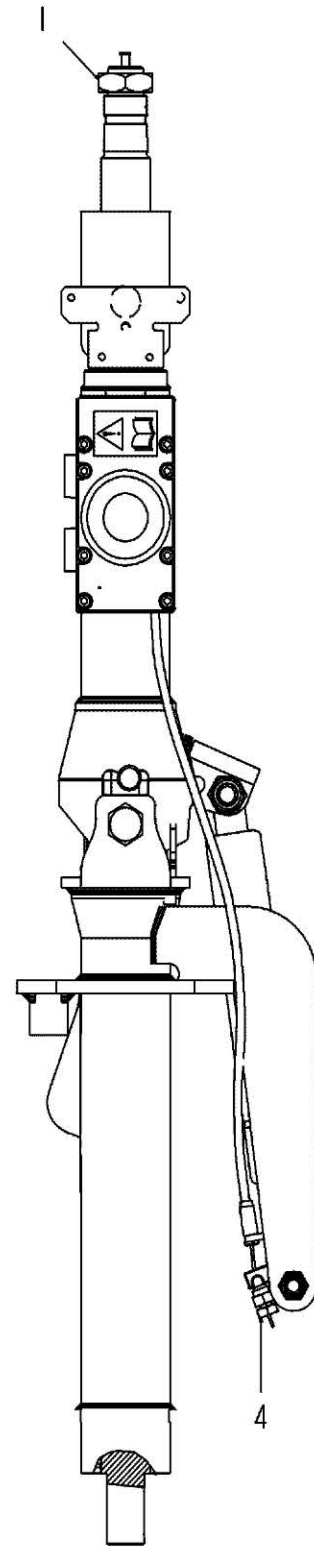
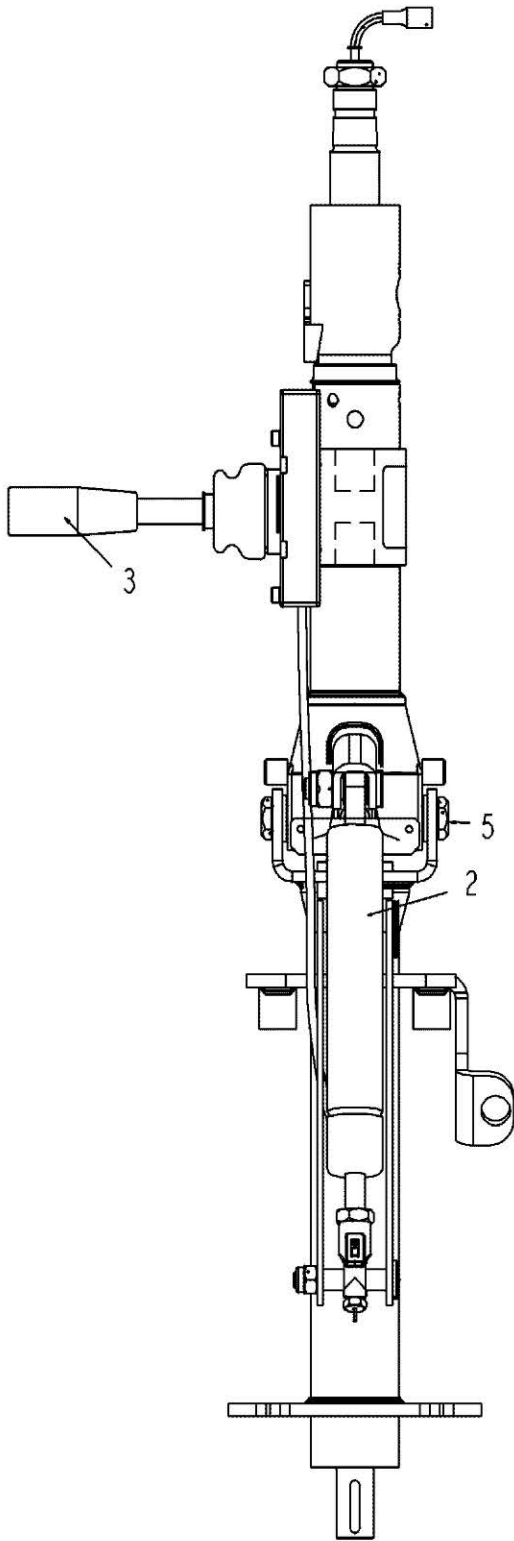


| | |
|---|---------|
| 504971D1 - STEERING COLUMN ASSEMBLY | 04-0001 |
| 500710D1 - STEERING CONTROL GROUP WITH MOUNTING | 04-0002 |
| 571188D1 - HYDRAULIC STEERING GROUP | 04-0003 |
| 564480D1 - HYDRAULIC STEERING VALVE LINES | 04-0004 |
| 566318D1 - HYDRAULIC-ELECTRIC STEERING GROUP - STEERING GROUP | 04-0005 |
| 529981D2 - STEERING PILOT ASSEMBLY | 04-0006 |
| 530013D2 - STEERING PILOT-ELECTRIC ASSEMBLY | 04-0007 |
| 586988D1 - STEERING, PRIORITY VALVE ASSEMBLY | 04-0008 |
| 586987D1 - ELECTRIC STEERING, PRIORITY VALVE ASSEMBLY | 04-0009 |
| 564485D1 - HYDRAULIC LINES - HYDRAULIC STEERING CYLINDER | 04-0010 |
| 574550D1 - HYDRAULIC CYLINDER GROUP - STEERING | 04-0011 |

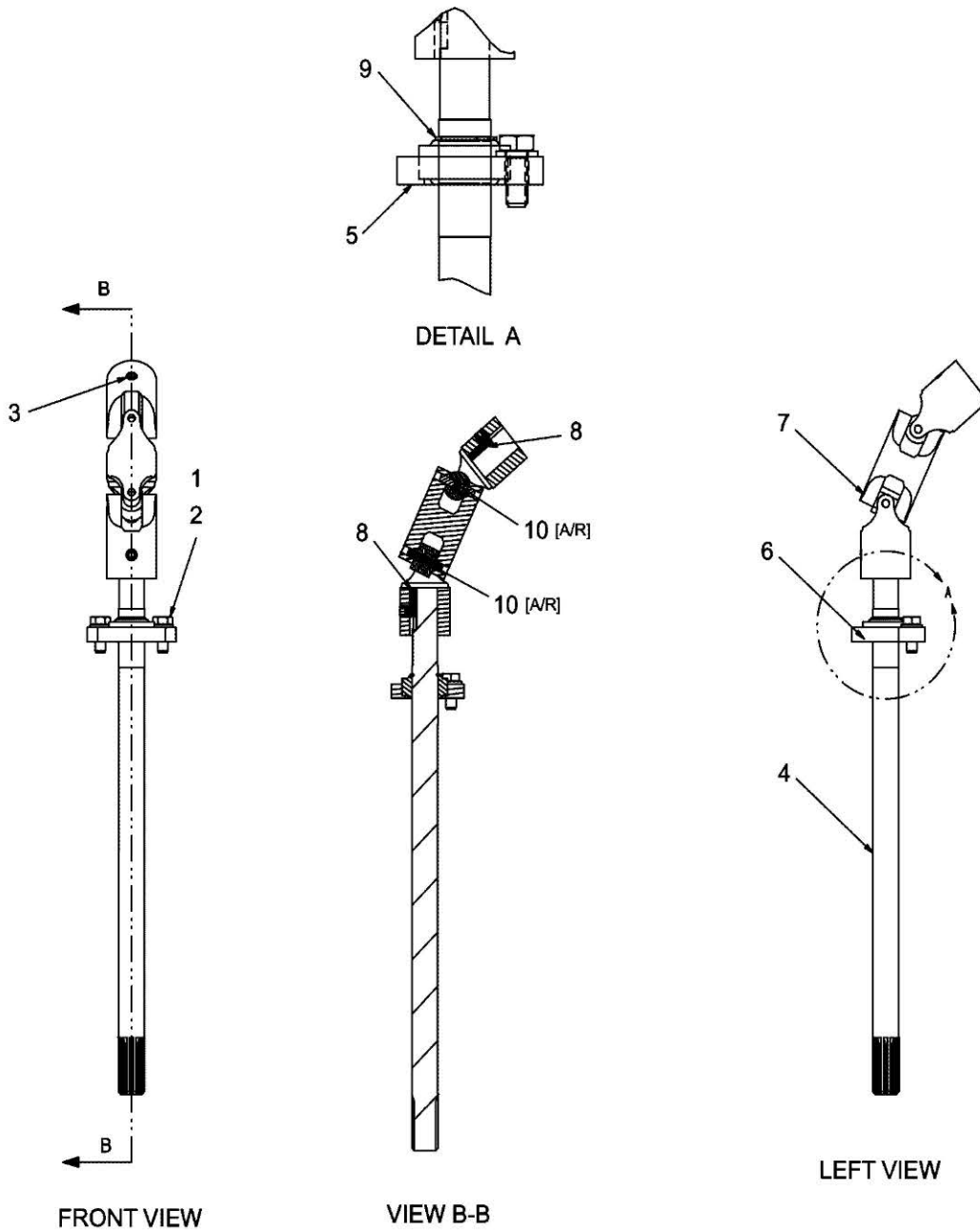
504971D1-7-Y489



504971D1 - STEERING COLUMN ASSEMBLY

| ITEM | PART NUMBER | QTY | DESCRIPTION COMMENTS | TECHNICAL SPECIFICATION |
|------|-------------|-----|--------------------------------|-------------------------|
| 1 | CH6V-8227 | 1 | HEX NUT | M18 X 1.5 |
| 2 | CH162-8550 | 1 | GAS STRUT KIT | |
| 3 | CH191-3701 | 1 | TILT EXTENSION SERVICE KIT | |
| 4 | CH185-3886 | 1 | CABLE CLAMP | |
| 5 | 525115D1 | 1 | STEERING COLUMN BUSHING/PIN | |

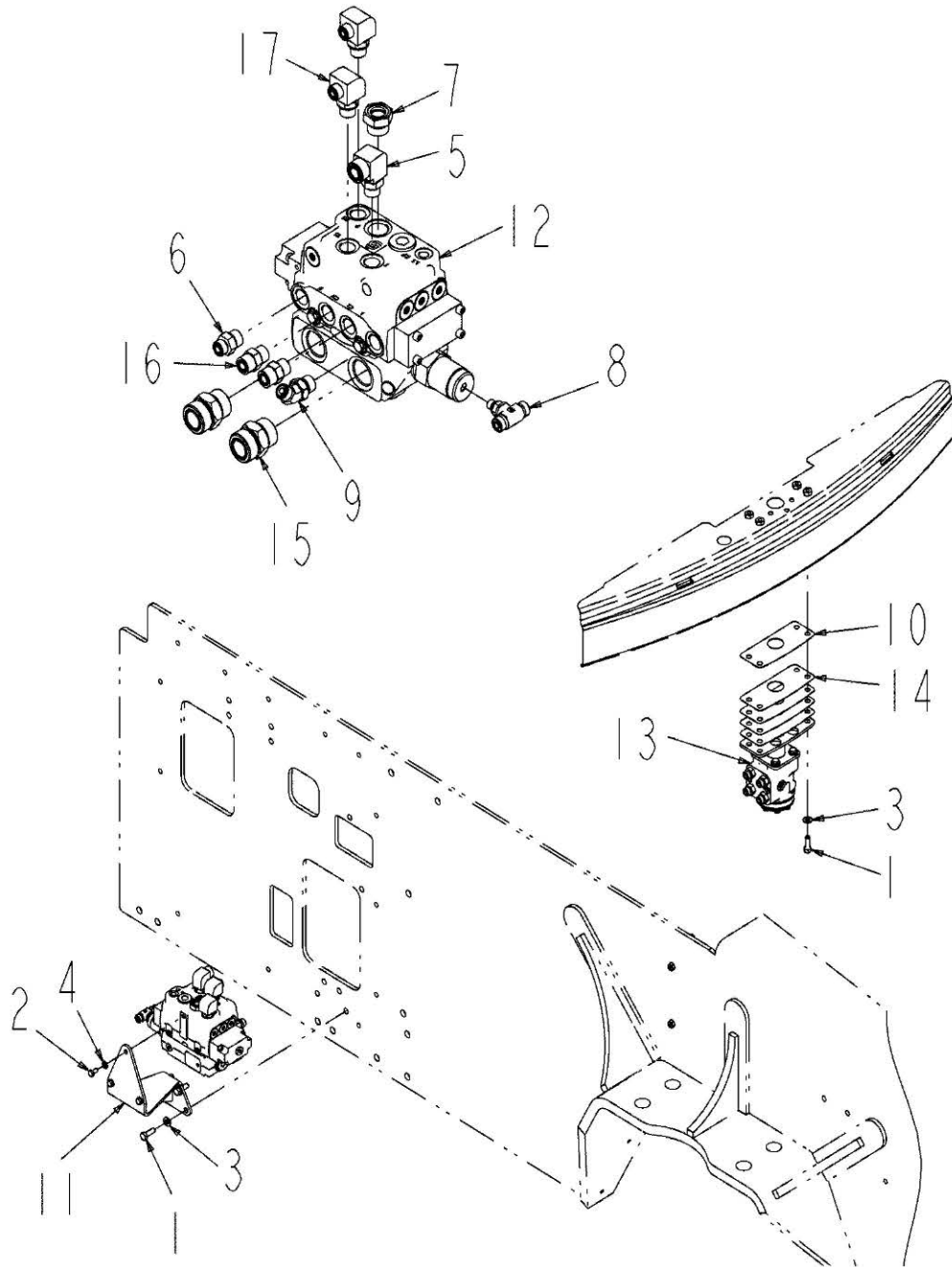
500710D1-5-01



500710D1 - STEERING CONTROL GROUP WITH MOUNTING

| ITEM | PART NUMBER | QTY | DESCRIPTION COMMENTS | TECHNICAL SPECIFICATION |
|------|-------------|-----|----------------------------|--------------------------|
| 1 | 400053X1 | 2 | HEXAGONAL HEAD BOLT | M8 X 1.25 X 20MM, CL10.9 |
| 2 | 400339X1 | 2 | FLAT WASHER | 9MM X 16MM X 2MM |
| 3 | 401205X1 | 2 | SETSCREW SOCKET | .31-18X.31 SOCKET |
| 4 | 500777D2 | 1 | SHAFT | |
| 5 | 500778D3 | 1 | MOUNT | |
| 6 | 500779D1 | 1 | SPHERICALE BEARING | |
| 7 | 500780D1 | 1 | UNIVERSAL JOINT | |
| 8 | 500858D1 | 2 | KEY | |
| 9 | CH2J-6356 | 1 | RETAINING RING EXTERNAL | 17.8MM ID X 1.07MM |

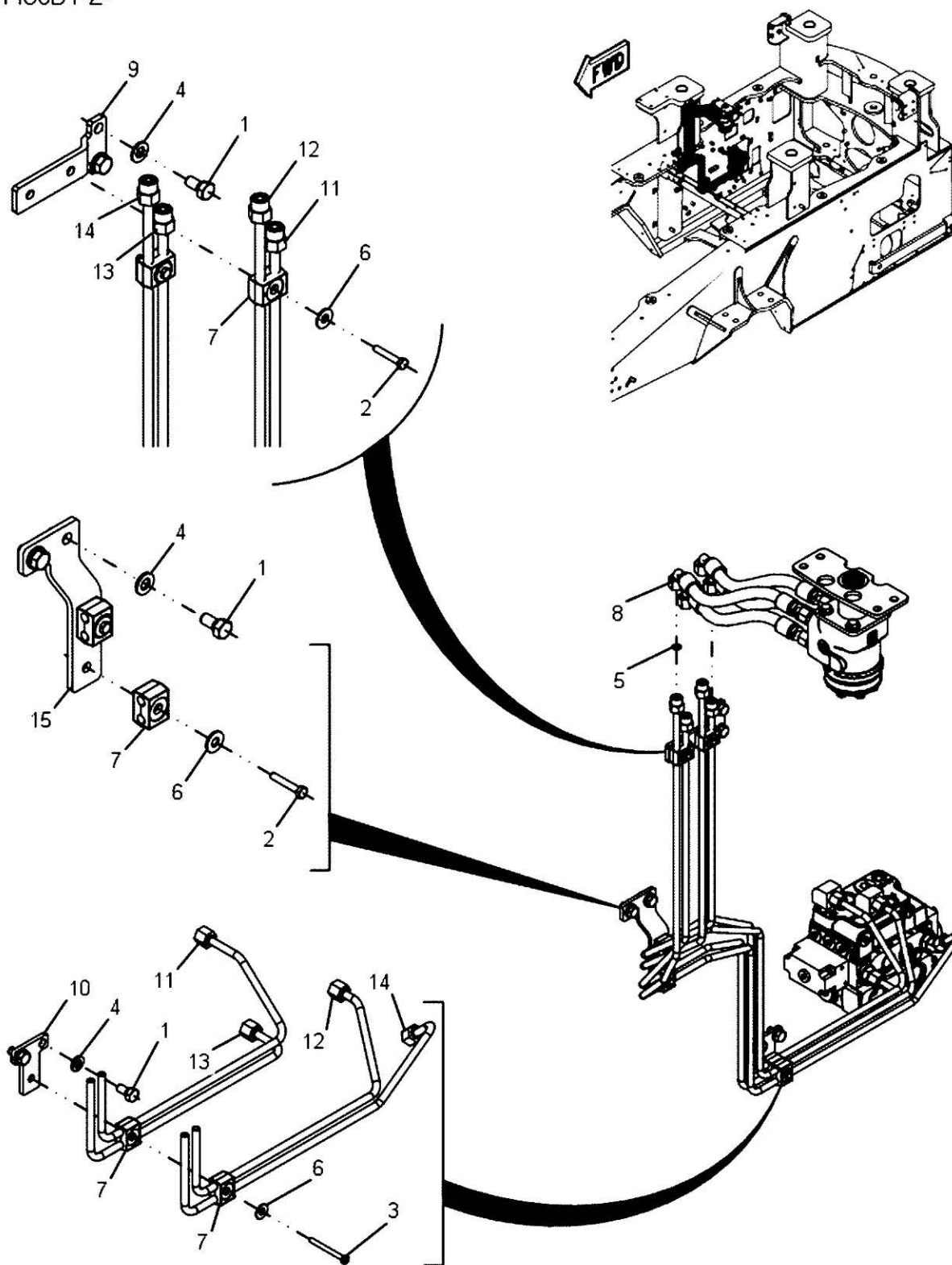
571188D1-2-AA686-



571188D1 - HYDRAULIC STEERING GROUP

| ITEM | PART NUMBER | QTY | DESCRIPTION COMMENTS | TECHNICAL SPECIFICATION |
|------|-------------|-----|--|------------------------------|
| 1 | 400058X1 | 8 | HEXAGONAL HEAD BOLT | M10 X 1.5 X 30MM |
| 2 | 400227X1 | 3 | HEXAGONAL HEAD BOLT | M8X1.25 THD X 16 10.9 |
| 3 | 400287X1 | 8 | FLAT WASHER | 11MM X 21MM X 2.5MM |
| 4 | 400339X1 | 3 | FLAT WASHER | 9MM X 16MM X 2MM |
| 5 | 400412X1 | 1 | ELBOW FITTING | -8 STOR X -10 ORFS |
| 6 | 400628X1 | 1 | ADAPTER FITTING | 3/4-16 MORB X 11/16-16 MORFS |
| | 400378X1 | 1 | O-RING | 12.83MM OD X 1.78MM |
| | CH3K-0360 | 1 | O-RING | 16.36MM ID X 2.21MM |
| 7 | 400636X1 | 1 | ADAPTER FITTING | -12 STOR X -8 PORT |
| | 400416X1 | 1 | O-RING | 23.47MM ID X 2.95MM |
| 8 | 401300X1 | 1 | TEE FITTING | 2 X 3/8" ORFS X 1/4" STOR |
| | 400378X1 | 1 | O-RING | 12.83MM OD X 1.78MM |
| | 400361X1 | 1 | O-RING | 8.92MM ID X 1.83MM |
| 9 | 401355X1 | 1 | ELBOW FITTING | -6 ORFS X -8 STOR, 45D |
| | CH3K-0360 | 1 | O-RING | 16.36MM ID X 2.21MM |
| | 400378X1 | 1 | O-RING | 12.83MM OD X 1.78MM |
| 10 | 508790D1 | 1 | GASKET | |
| 11 | 513211D1 | 1 | BRACKET | |
| 12 | 586988D1 | 1 | STEERING VALVE SEE PAGE 04-0008 | PRIORITY |
| 13 | NS | 1 | NON-SERVICEABLE PART SEE PAGE 04-0007 | |
| 14 | 529983D1 | 4 | SHIM | HANDPUMP |
| 15 | CH148-8335 | 2 | CONNECTOR | 16 STOR X 16 ORFS |
| | 400123X1 | 1 | O-RING | 27.22MM OD X 1.78MM |
| | 400376X1 | 1 | O-RING | 29.74MM ID X 2.95MM |
| 16 | CH148-8340 | 2 | CONNECTOR | 08 ORFS X 08 STOR |
| | CH3K-0360 | 1 | O-RING | 16.36MM ID X 2.21MM |
| | CH6V-8398 | 1 | O-RING | 16.03MM OD X 1.78MM |
| 17 | CH148-8374 | 2 | ELBOW FITTING | -6 ORFS X -8 STOR |
| | CH3K-0360 | 1 | O-RING | 16.36MM ID X 2.21MM |
| | 400378X1 | 1 | O-RING | 12.83MM OD X 1.78MM |

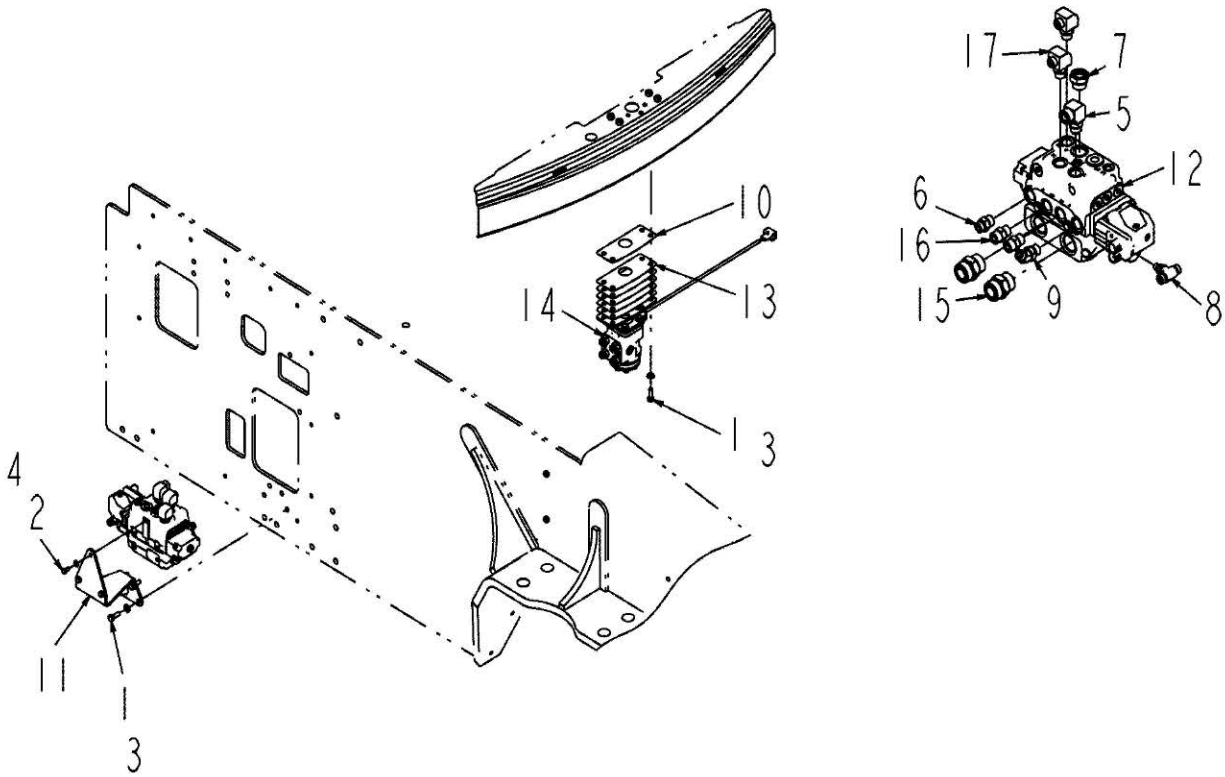
564480D1-2-



564480D1 - HYDRAULIC STEERING VALVE LINES

| ITEM | PART NUMBER | QTY | DESCRIPTION COMMENTS | TECHNICAL SPECIFICATION |
|------|-------------|-----|----------------------|--------------------------|
| 1 | 400040X1 | 6 | HEXAGONAL HEAD BOLT | M10 X 1.5 X 20MM, CL10.9 |
| 2 | 400307X1 | 4 | HEXAGONAL HEAD BOLT | M6 X 1.0 X 45MM |
| 3 | 400038X1 | 1 | HEXAGONAL HEAD BOLT | M6 X 1" X 70MM CL 10.9 |
| 4 | 400287X1 | 6 | FLAT WASHER | 11MM X 21MM X 2.5MM |
| 5 | 400378X1 | 4 | O-RING | 12.83MM OD X 1.78MM |
| 6 | 400599X1 | 5 | FLAT WASHER | M8 X 20.5MM OD X 2MM THK |
| 7 | 401079X1 | 6 | TUBE CLAMP | |
| 8 | 508998D1 | 4 | HOSE | |
| 9 | 511686D1 | 1 | BRACKET | |
| 10 | 513347D1 | 1 | BRACKET | |
| 11 | 564481D1 | 1 | STEERING TUBE | 7.04MM X 669.4MM |
| 12 | 564482D1 | 1 | STEERING TUBE | 7.04MM X 934.2MM |
| 13 | 564483D1 | 1 | STEERING TUBE | 7.04MM X 990MM |
| 14 | 564484D1 | 1 | STEERING TUBE | 7.04MM X 865.4MM |
| 15 | 573998D1 | 1 | TUBE SUPPORT BRACKET | |

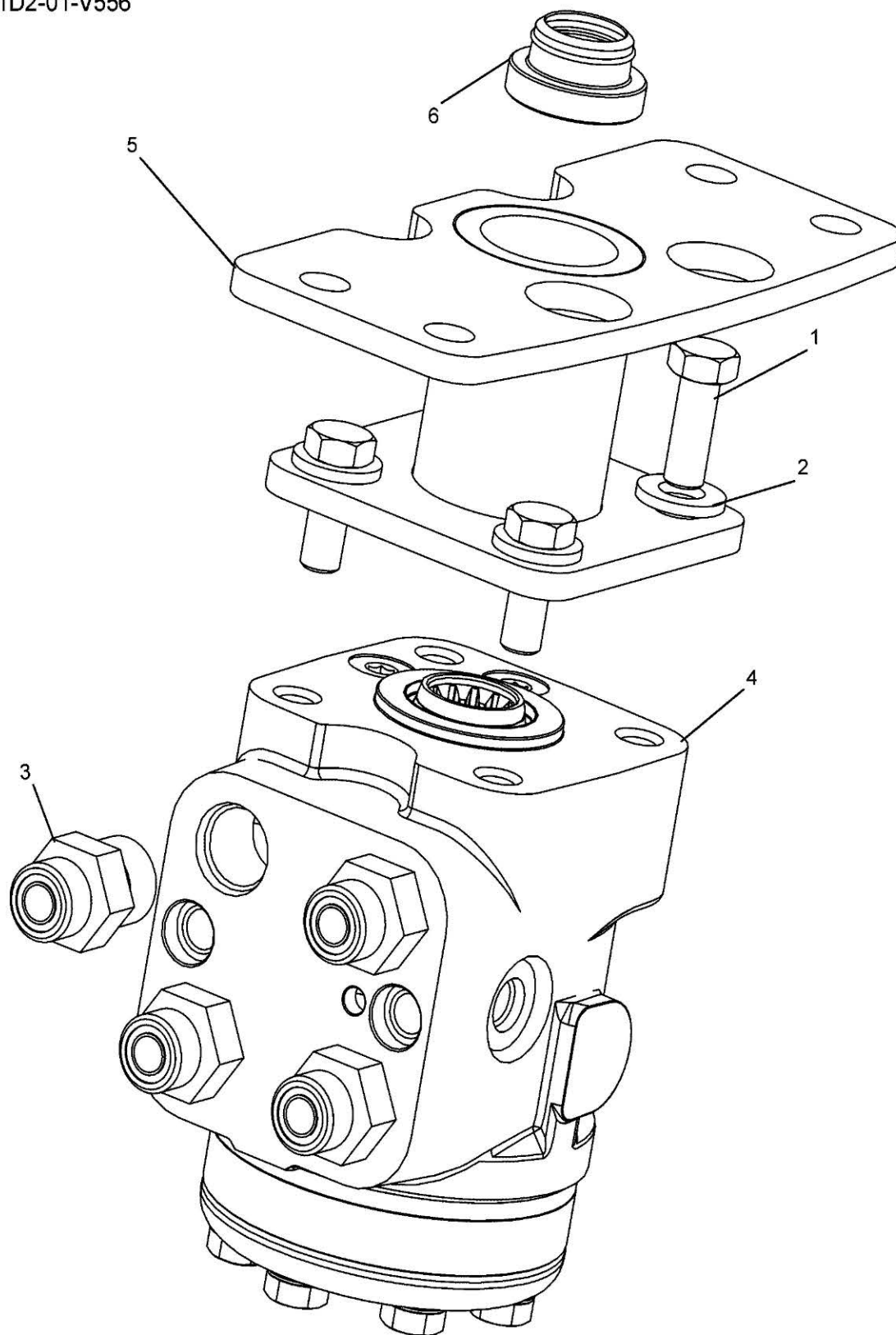
566318D1-2-AA686-



566318D1 - HYDRAULIC-ELECTRIC STEERING GROUP - STEERING GROUP

| ITEM | PART NUMBER | QTY | DESCRIPTION COMMENTS | TECHNICAL SPECIFICATION |
|------|-------------|-----|--|------------------------------|
| 1 | 400058X1 | 8 | HEXAGONAL HEAD BOLT | M10 X 1.5 X 30MM |
| 2 | 400227X1 | 3 | HEXAGONAL HEAD BOLT | M8X1.25 THD X 16 10.9 |
| 3 | 400287X1 | 8 | FLAT WASHER | 11MM X 21MM X 2.5MM |
| 4 | 400339X1 | 3 | FLAT WASHER | 9MM X 16MM X 2MM |
| 5 | 400412X1 | 1 | ELBOW FITTING | -8 STOR X -10 ORFS |
| | 400322X1 | 1 | O-RING | 19.28MM OD X 1.78MM |
| | CH3K-0360 | 1 | O-RING | 16.36MM ID X 2.21MM |
| 6 | 400628X1 | 1 | ADAPTER FITTING | 3/4-16 MORB X 11/16-16 MORFS |
| | 400378X1 | 1 | O-RING | 12.83MM OD X 1.78MM |
| | CH3K-0360 | 1 | O-RING | 16.36MM ID X 2.21MM |
| 7 | 400636X1 | 1 | ADAPTER FITTING | -12 STOR X -8 PORT |
| | 400416X1 | 1 | O-RING | 23.47MM ID X 2.95MM |
| 8 | 401300X1 | 1 | TEE FITTING | 2 X 3/8" ORFS X 1/4" STOR |
| | 400361X1 | 1 | O-RING | 8.92MM ID X 1.83MM |
| | 400378X1 | 1 | O-RING | 12.83MM OD X 1.78MM |
| 9 | 401355X1 | 1 | ELBOW FITTING | -6 ORFS X -8 STOR, 45D |
| | 400378X1 | 1 | O-RING | 12.83MM OD X 1.78MM |
| | CH3K-0360 | 1 | O-RING | 16.36MM ID X 2.21MM |
| 10 | 508790D1 | 1 | GASKET | |
| 11 | 513211D1 | 1 | BRACKET | |
| 12 | 586987D1 | 1 | STEERING VALVE SEE PAGE 04-0009 | PRIORITY |
| 13 | 529983D1 | 5 | SHIM | HANDPUMP |
| 14 | NS | 1 | NON-SERVICEABLE PART SEE PAGE 04-0007 | |
| 15 | CH148-8335 | 2 | CONNECTOR | 16 STOR X 16 ORFS |
| | 400123X1 | 1 | O-RING | 27.22MM OD X 1.78MM |
| | 400376X1 | 1 | O-RING | 29.74MM ID X 2.95MM |
| 16 | CH148-8340 | 2 | CONNECTOR | 08 ORFS X 08 STOR |
| | CH3K-0360 | 1 | O-RING | 16.36MM ID X 2.21MM |
| | CH6V-8398 | 1 | O-RING | 16.03MM OD X 1.78MM |
| 17 | CH148-8374 | 2 | ELBOW FITTING | -6 ORFS X -8 STOR |
| | 400378X1 | 1 | O-RING | 12.83MM OD X 1.78MM |
| | CH3K-0360 | 1 | O-RING | 16.36MM ID X 2.21MM |

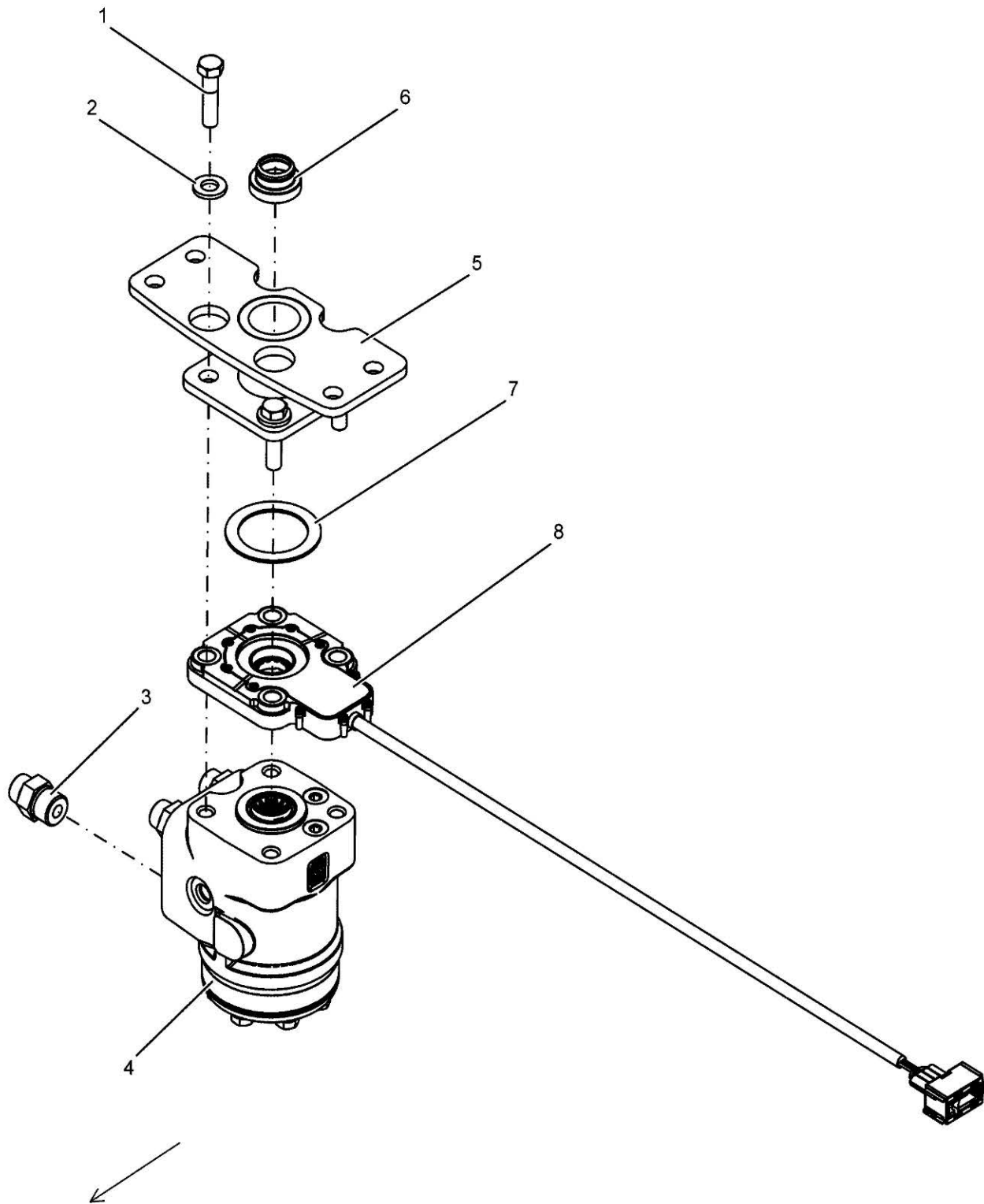
529981D2-01-V556



529981D2 - STEERING PILOT ASSEMBLY

| ITEM | PART NUMBER | QTY | DESCRIPTION COMMENTS | TECHNICAL SPECIFICATION |
|------|-------------|-----|-----------------------------|-------------------------------|
| 1 | 353691X1 | 4 | HEXAGONAL HEAD BOLT | 3/8"-16 X 1 |
| 2 | 400287X1 | 4 | FLAT WASHER | 11MM X 21MM X 2.5MM |
| 3 | 400628X1 | 4 | ADAPTER FITTING STRAIGHT | 3/4-16 MORB X 1 1/16-16 MORFS |
| | CH3K-0360 | 1 | O-RING | 16.36MM ID X 2.21MM |
| | 400378X1 | 1 | O-RING | 12.83MM OD X 1.78MM |
| 4 | 500705D1 | 1 | STEERING PUMP PILOT | |
| 5 | 529980D1 | 1 | PUMP MOUNT HAND | HANDPUMP WLDMT |
| 6 | 530242D1 | 1 | SHAFT SEAL RADIAL | RADIAL |

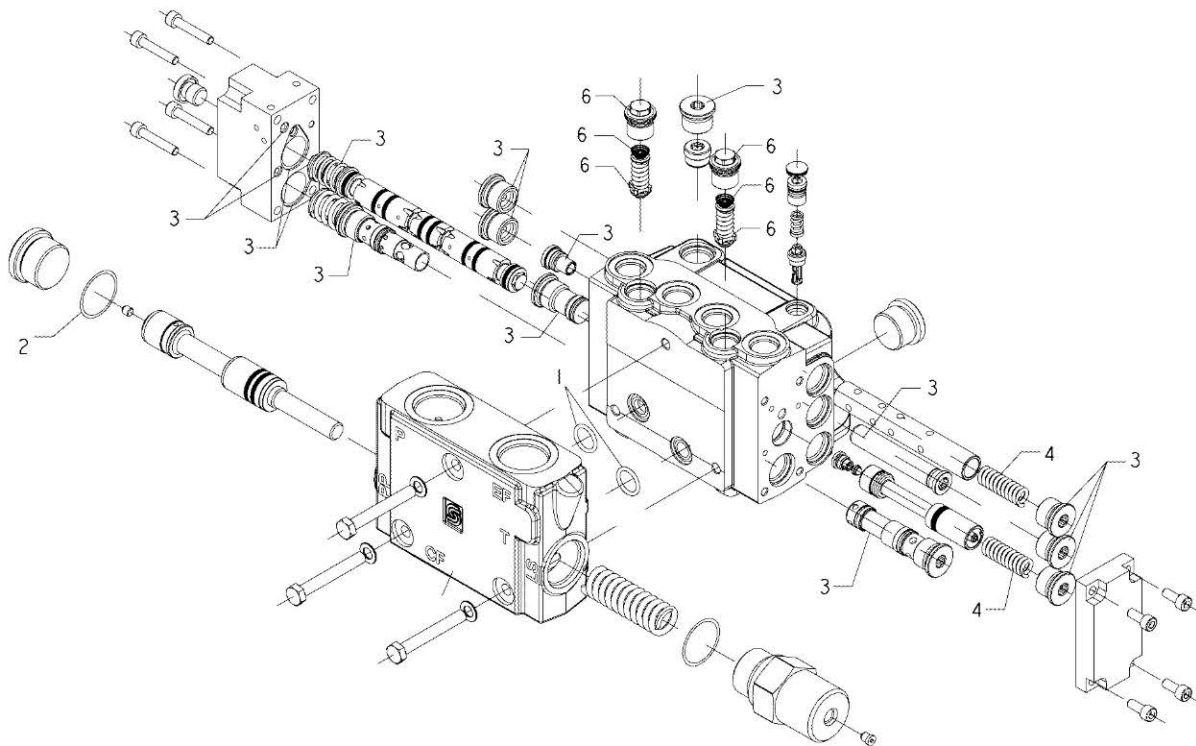
530013D2-3-AA091



530013D2 - STEERING PILOT-ELECTRIC ASSEMBLY

| ITEM | PART NUMBER | QTY | DESCRIPTION COMMENTS | TECHNICAL SPECIFICATION |
|------|-------------|-----|--|------------------------------|
| 1 | AG550779 | 4 | HEXAGONAL HEAD BOLT | 3/8"-16 X 1-1/2", GR5 |
| 2 | 400287X1 | 4 | FLAT WASHER | 11MM X 21MM X 2.5MM |
| 3 | 400628X1 | 4 | ADAPTER FITTING STOR-6 ORFS STRAIGHT | 3/4-16 MORB X 11/16-16 MORFS |
| | 400378X1 | 1 | O-RING | 12.83MM OD X 1.78MM |
| | CH3K-0360 | 1 | O-RING | 16.36MM ID X 2.21MM |
| 4 | 500705D1 | 1 | STEERING PUMP PILOT | |
| 5 | 530012D1 | 1 | MOUNTING HANDPUMP | HANDPUMP WLDMT |
| 6 | 530242D1 | 1 | SHAFT SEAL RADIAL | RADIAL |
| 7 | 534035D1 | 1 | GASKET | FOAM SAS |
| 8 | ACZ0001550 | 1 | SASA II SENSOR | |

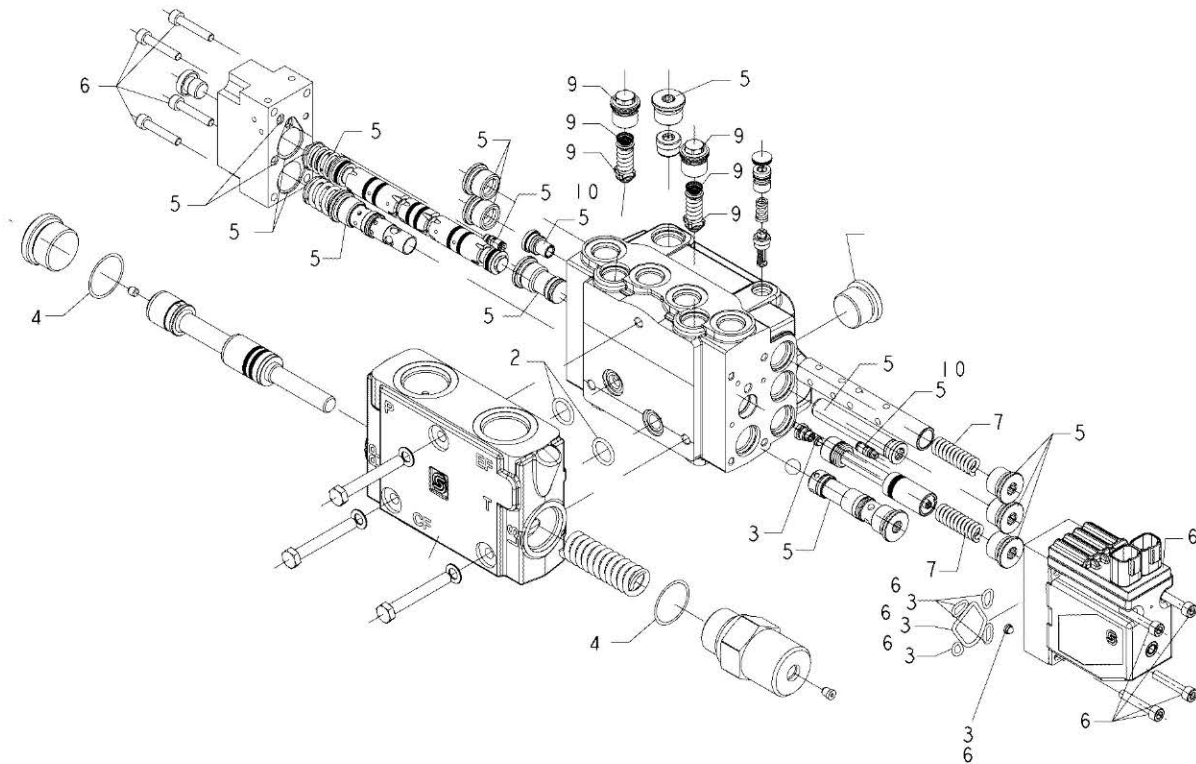
586988D1-1-01



586988D1 - STEERING, PRIORITY VALVE ASSEMBLY

| ITEM | PART NUMBER | QTY | DESCRIPTION COMMENTS | TECHNICAL SPECIFICATION |
|------|-------------|-----|---------------------------------|-------------------------|
| 1 | 521896D1 | 1 | SEAL KIT PRIORITY STEERING | |
| 2 | 521894D1 | 1 | SEAL KIT PRIORITY | |
| 3 | 521893D1 | 1 | SEAL KIT STEERING | |
| 4 | 523453D1 | 1 | KIT, SPRING STEERING | |
| 6 | 523454D1 | 1 | KIT, VALVE STEERING CYLINDER | |

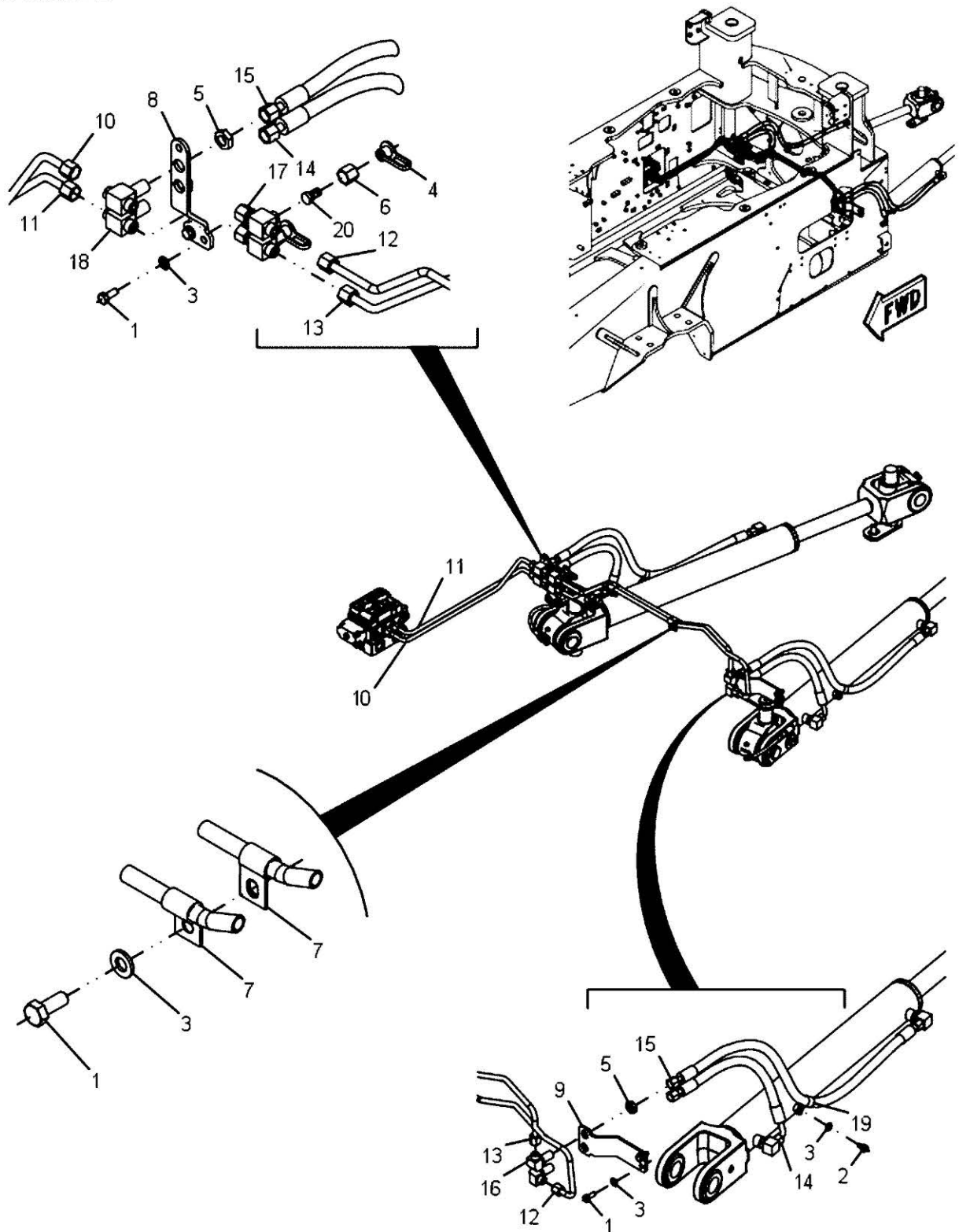
586987D1-1-01



586987D1 - ELECTRIC STEERING, PRIORITY VALVE ASSEMBLY

| ITEM | PART NUMBER | QTY | DESCRIPTION COMMENTS | TECHNICAL SPECIFICATION |
|------|-------------|-----|---------------------------------|-------------------------|
| 2 | 521896D1 | 1 | SEAL KIT PRIORITY STEERING | |
| 3 | 521895D1 | 1 | SEAL KIT PVE | |
| 4 | 521894D1 | 1 | SEAL KIT PRIORITY | |
| 5 | 521893D1 | 1 | SEAL KIT STEERING | |
| 6 | 528548D1 | 1 | KIT, STEERING PVED | |
| 7 | 523453D1 | 1 | KIT, SPRING STEERING | |
| 9 | 523454D1 | 1 | KIT, VALVE STEERING CYLINDER | |
| 10 | 523455D1 | 1 | VALVE KIT STEERING VALVE | |

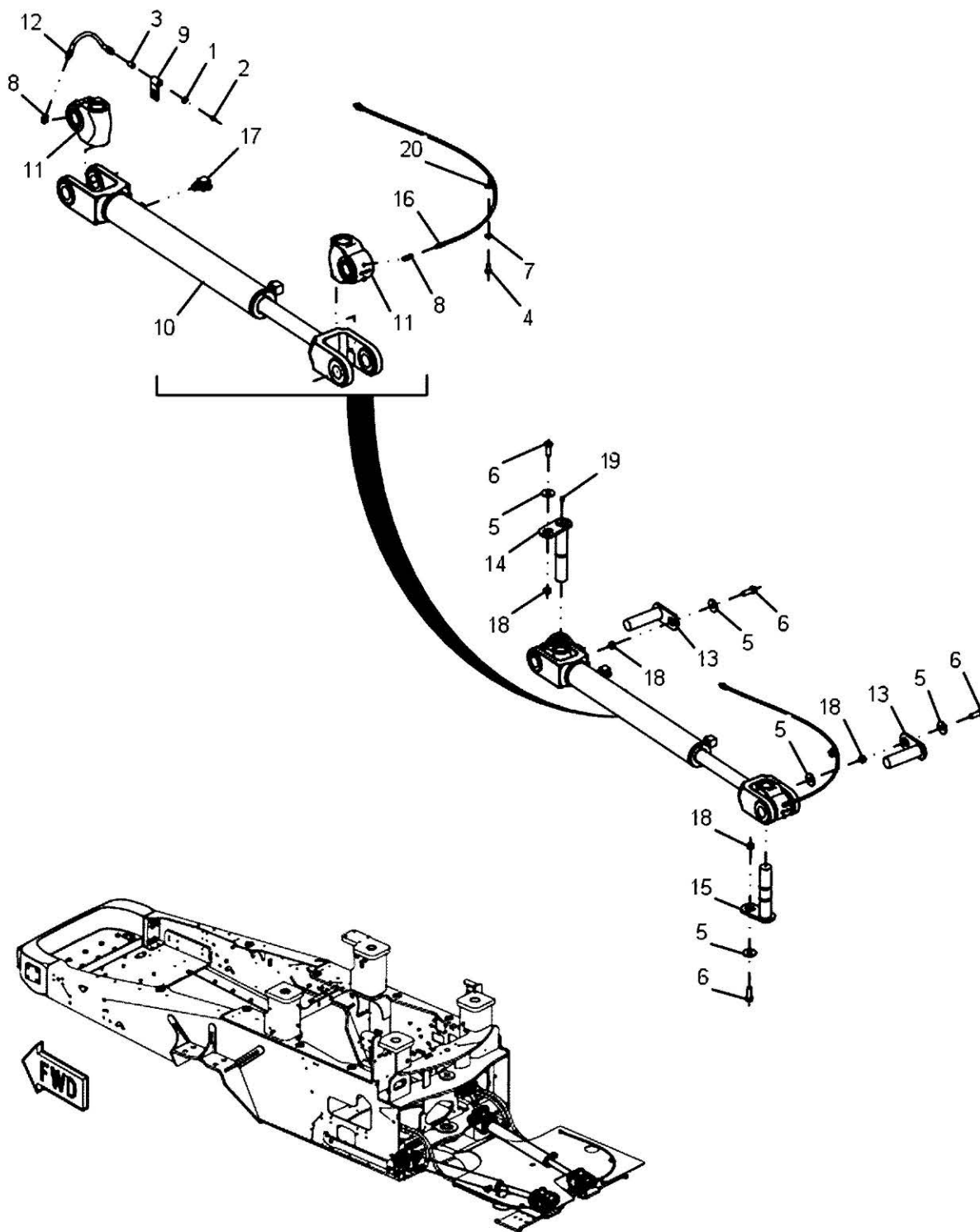
564485D1-2-



564485D1 - HYDRAULIC LINES - HYDRAULIC STEERING CYLINDER

| ITEM | PART NUMBER | QTY | DESCRIPTION COMMENTS | TECHNICAL SPECIFICATION |
|------|-------------|-----|----------------------|--------------------------|
| 1 | 400039X1 | 6 | HEXAGONAL HEAD BOLT | M10 X 1.5 X 25MM, CL10.9 |
| 2 | 400054X1 | 2 | HEXAGONAL HEAD BOLT | M10 X 1.5 X 16MM, CL10.9 |
| 3 | 400287X1 | 8 | FLAT WASHER | 11MM X 21MM X 2.5MM |
| 4 | 400323X1 | 2 | DUST CAP | 12.6MM OD |
| 5 | 400348X1 | 4 | HEX NUT | 13/16-16 THD |
| 6 | 400607X1 | 2 | HEX NUT | 13/16"-16, ORFS |
| 7 | 400621X1 | 4 | P-CLIP | 12.7MM ID |
| 8 | 565974D1 | 1 | HOSE SUPPORT BRACKET | |
| 9 | 565976D1 | 1 | HOSE SUPPORT BRACKET | |
| 10 | 566445D1 | 1 | STEERING TUBE | 9.4MM X 480MM |
| 11 | 566446D1 | 1 | STEERING TUBE | 9.4MM X 443MM |
| 12 | 566447D1 | 1 | STEERING TUBE | 9.4MM X 889.1MM |
| 13 | 566448D1 | 1 | STEERING TUBE | 9.4MM X 804.1MM |
| 14 | 566449D1 | 2 | STEERING TUBE | 12.7MM X 536MM |
| 15 | 566450D1 | 2 | STEERING TUBE | 12.7MM X 1072MM |
| 16 | CH148-8375 | 2 | BULKHEAD FITTING | 90D-8 ORFS |
| | CH6V-8398 | 1 | O-RING | 16.03MM OD X 1.78MM |
| 17 | CH148-8444 | 2 | SWIVEL TEE FITTING | 3X 13/16"-16 |
| | CH6V-8398 | 1 | O-RING | 16.03MM OD X 1.78MM |
| 18 | CH169-4273 | 2 | TEE FITTING | |
| | CH6V-8398 | 1 | O-RING | 16.03MM OD X 1.78MM |
| 19 | CH6D-4244 | 2 | P-CLIP | |
| 20 | CH8C-6416 | 2 | QUICK COUPLER NIPPLE | -4 X O-RING |

574550D1-2-



574550D1 - HYDRAULIC CYLINDER GROUP - STEERING

| ITEM | PART NUMBER | QTY | DESCRIPTION COMMENTS | TECHNICAL SPECIFICATION |
|------|-------------|-----|----------------------|-----------------------------|
| 1 | AG514559 | 2 | FLAT WASHER | 3/8", GR8 |
| 2 | AG550280 | 2 | GREASE FITTING | 1/8"-27 F NPT X 0.66" |
| 3 | AG556475 | 2 | PIPE COUPLER | 1/8" NPT |
| 4 | 400040X1 | 2 | HEXAGONAL HEAD BOLT | M10 X 1.5 X 20MM, CL10.9 |
| 5 | 400078X1 | 10 | FLAT WASHER | 16.5MM X 50MM X 5MM |
| 6 | 400244X1 | 8 | BOLT | M16 X 2 X 45MM, CL10.9 |
| 7 | 400287X1 | 2 | FLAT WASHER | 11MM X 21MM X 2.5MM |
| 8 | 401219X1 | 4 | ELBOW FITTING | 1/8"-27 S NPT X 1/8"-27 NPT |
| 9 | 401223X1 | 2 | P-CLIP | |
| 10 | 505864D1 | 2 | STEERING CYLINDER | |
| | 515176D1 | 1 | SEAL KIT | |
| 11 | 505978D1 | 4 | YOKE | |
| | 505979D1 | 16 | PIN SEAL | |
| | CH5M-6214 | 4 | PLUG | |
| 12 | 509723D1 | 2 | HOSE | |
| 13 | 574554D1 | 4 | PIN | 44.42MM X 154MM |
| 14 | 574556D1 | 2 | PIN | 44.42MM X 241MM |
| 15 | 574558D1 | 2 | PIN | 44.42MM X 218MM |
| 16 | 575216D1 | 2 | HOSE | 3.2MM X 1069MM |
| 17 | CH148-8364 | 4 | ELBOW FITTING | 3/4"-16 X 13/16"-16 |
| | CH6V-8398 | 1 | O-RING | 16.03MM OD X 1.78MM |
| | CH3K-0360 | 1 | O-RING | 16.36MM ID X 2.21MM |
| 18 | CH200-0010 | 8 | SPACER | 17.5MM X 25.4MM X 12.5MM |
| 19 | CH3B-8485 | 2 | UNION | |
| 20 | CH5P-9085 | 2 | P-CLIP | 7.94MM ID |